



iviceversa
Soluciones
Gráficas

SQUEEGEES	510
CUTTING ACCESSORIES	512
MEASUREMENT	514
SIGNMAKING ACCESSORIES	517
TOOL BAGS	518
MAGNETIC HOLDERS	519
HEAT GUNS	520
CORDS MAGIC TAPE HOOKS	521
FASTENING TRANSPORT ACCESSORIES	522
BADGE MAKER MACHINE	523
EYELET MACHINE	524
MAGNET SERIES	525

SIGN ACCESSORIES

12

SQUEEGEES | Squeegees

EN Squeegees for the application of vinyl.

PT Espátulas para aplicação de vinil.

FR Raclette pour l'application de vinyles.

ES Rasquetas para aplicación de vinilo.

SQUEEGEES



INFORMATION

*mm

This rectangular squeegee is made of 100% wool. Thanks to its dimension is ideal for the application of vinyl.



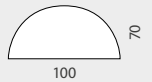
✿ 16.012 100x70x13mm x10



INFORMATION

*mm

This "half moon" squeegee is made of 100% wool. Thanks to its shape is ideal for the application of vinyl.



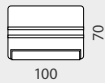
✿ 16.014 100x70x13mm x10



INFORMATION

*mm

This squeegee has been designed for an ergonomic use. Blue colored. It is ideal for the application of vinyl.



✿ 16.096 100x70mm x10



INFORMATION

*mm

This white squeegee has been designed for an ergonomic use and the application of vinyl.



✿ 16.003 100x70mm x10
✿ 16.004 130x70mm x10

PLASTIC-RUBBER SQUEEGEE



INFORMATION

*mm

This squeegee features a plastic blue colored handle and a white "V" shaped with land rubber profile with flat tip. It is ideal for the application of vinyl.



✿ 16.097 123x82x30mm x10

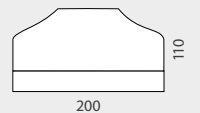
WOOD-RUBBER SQUEEGEE



INFORMATION

*mm

This squeegee features a wood handle. "V" shaped and blue colored rubber profile with sharp tip. It is ideal for the application of vinyl.



✿ 16.099 200x110x44mm x5

SQUEEGEES | Squeegees

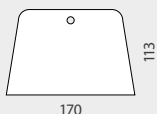
XL SQUEEGEE



INFORMATION

*mm

This squeegee is made of yellow colored plastic. Thanks to its size is ideal for several applications, such as car styling decal, vinyl film, stickers, covers scrape...



16.098 170x113mm x10

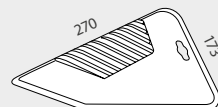
XXL SQUEEGEE



INFORMATION

*mm

This big squeegee is made of blue colored plastic. Thanks to its ergonomic plastic handle is ideal for the application of car styling decals, vinyl films, stickers or covers scrape.



16.101 270x173mm x5

240mm SQUEEGEE ERGONOMIC PAD



INFORMATION

*mm

This squeegee is made of plastic. Thanks to its ergonomic plastic pad is ideal for the application of car styling decals, vinyl films, stickers or covers scrape.



16.000 108x240mm x10

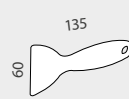
135mm SQUEEGEE ERGONOMIC PAD



INFORMATION

*mm

This squeegee is made of plastic. Thanks to its ergonomic plastic pad is ideal for the application of car styling decals, vinyl films, stickers or covers scrape.



16.001 60x135mm x10

115mm SQUEEGEE PAD



INFORMATION

*mm

This squeegee is made of plastic. Thanks to its dimensions and to its pad is ideal for the application of vinyl in small places.



16.002 90x115mm x10

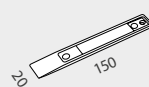
PRECISION SQUEEGEE



INFORMATION

*mm

This squeegee is made of plastic. Thanks to its reduced size is ideal for the application of vinyl in small places



16.006 20x150mm x10

PRECISION 9mm CUTTER



INFORMATION

*mm

This slimline metallic cutter is ideal for cutting vinyl, tint or paper... Its 9mm steel blade features an optimum sharpness for an improved precision.



16.063

x5

STANDARD 9mm CUTTER

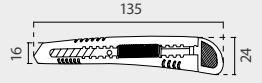


NEW

INFORMATION

*mm

This popular cutter has a 9mm high carbon tool steel blade for an optimum sharpness. Blade snapper and clip for pockets are included.



16.140

x20

PRO TOUCH 9mm CUTTER



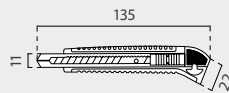
non slip design

NEW

INFORMATION

*mm

This Pro-Touch cutter has a 9mm high carbon tool steel blade and features an ergonomic rubber handle. Blade snapper is included.



16.143

x5

HEAVY-DUTY 18mm LARGE CUTTER



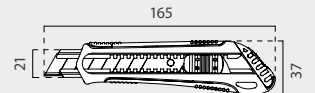
non slip design

NEW

INFORMATION

*mm

This cutter has a 18mm high carbon tool steel blade and features an ergonomic rubber handle. With a hole for lanyards.



16.142

x5

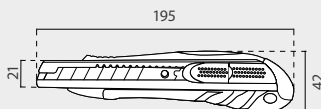
autoretractable blade, holding down the button



INFORMATION

*mm

Professional cutter has a 18mm high carbon tool steel autoretractable blade and also, it features autolock system. With an ergonomic rubber handle and hole for the lanyards.



16.141

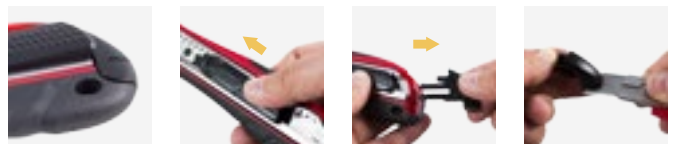
x5

RETRACTABLE 18mm PROFESSIONAL CUTTER



non slip design

NEW



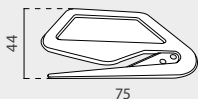
MINI SMALL CUTTER



INFORMATION

*mm

This small cutter is ideal for trimming vinyl, tint or paper. Its special design is ideal for an improved precision with long continuous cuts.



16.103 75x44x3mm x20

SNAPPY SAFE CUTTER



INFORMATION

The Snappy Cutter features a blade adjustment with safety lock system. Its special design is ideal for an improved precision with curved cuts.



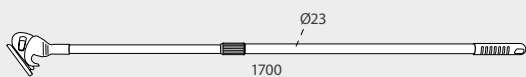
16.007 x10



adjustable blade

INFORMATION

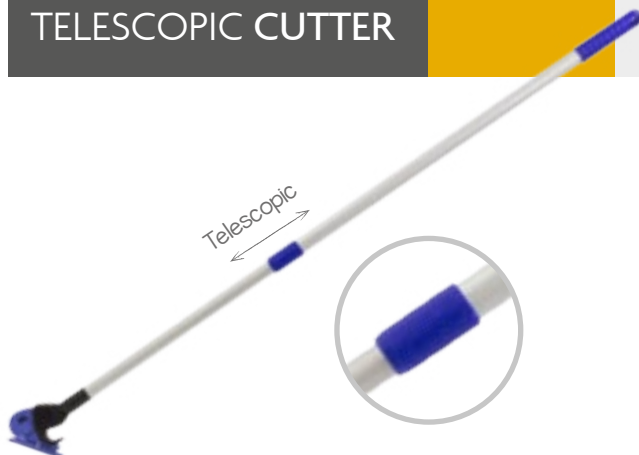
*mm



The Telescopic Cutter features a blade adjustment with safety lock system. Its adjustable length tube is ideal for an improved precision in height cuts.

16.104 Ø23x1700mm

TELESCOPIC CUTTER



CUTTING MAT



INFORMATION

This mat is ideal for precision cutting. It features 5 dimensions available.

16.061 A5
 16.062 A4
 16.066 A3



16.067 A2
 16.068 A1



INFORMATION

This Magnetic Measuring Ruler provides a convenient solution for determining approximate distances without using the hands on an optical table or breadboard. With a magnetic back that extends throughout the meter area, this measuring tape lays flat on any magnetic surface and features both imperial and metric scales.

✿ 16.122

Length: 1000mm/36"



MAGNETIC RULER



INFORMATION

This Magnetic Ruler provides a convenient solution for determining approximate distances without using the hands. With a magnetic back that extends throughout the meter area, this measuring tape lays flat on any magnetic surface.

✿ 16.123

Length: 1000mm



MAGNETIC RULER



INFORMATION

This rule provides a safe and convenient solution for precision cutting work. Featuring 3 lengths of Safety Cutting Ruler (1000mm, 1500mm and 2500mm).

SAFETY CUTTING RULER



✿ 16.030

Length: 1000mm

✿ 16.031

Length: 1500mm

✿ 16.032

Length: 2500mm



stop locking system



ABS 5m 25mm TAPE MEASURE

NEW



5m tape
25mm blade

INFORMATION

This ultra durable ABS pocket tape measure features a 5m tape with a 25mm wide blade. Featuring a strong blade locking system, belt clip and wrist strap.

16.144 Length: 5000mm Width Blade: 25mm x5



suitable for
metallic surfaces

MAGNETIC 5m 25mm TAPE MEASURE

NEW

stop locking system



magnetic extreme

INFORMATION

This Professional ultra durable tape measure is highly resistant thanks to its anti-shock ABS plastic case and comfortable thanks to its soft grip rubber outer. It features a 5m tape with a 25mm wide blade. Featuring a magnetic end hook, which connects securely to metals (shelves, beading, pipework, etc) but can be easily removed from the surface. Also it has One-Stop lock system, belt clip and wrist nylon strap.

16.146 Length: 5000mm Width Blade: 25mm x5



INFORMATION

This ultra durable ABS tape measure features a 30m or 50m tape. A folding handle with rotating knob makes an easy rewinding. With wrist nylon strap

16.070 Length: 30000mm

16.071 Length: 50000mm

MEASURING TAPE



HAND CALIPER



INFO

Calipers can be used to measure internal and external dimensions with utmost precision.

✿ 16.058 From 0 to 150mm

DIGITAL CALIPER



INFO

Digital measure (mm to inches). Zero button which sets any reference point to zero.

✿ 16.057 From 0 to 150mm

INFORMATION

Battery-operated digital High Precision Pocket Scales. With easy-to-read LCD.



✿ 16.055 Weight capacity: 0.1 - 500g

HIGH PRECISION POCKET SCALE



✿ 16.056 Weight capacity: 0.01 - 300g

LINEN TESTER 33.3mm



INFORMATION

This line tester frame folds flat for an easy storage. Featuring 33mm height.

✿ 16.077 44x30x33.3mm

LINEN TESTER 50mm



INFORMATION

This line tester frame folds flat for an easy storage. Featuring 50mm height.

✿ 16.078 55x40x50mm



INFORMATION

This High Quality Line Tester is preferred for professional usage. Transport pocket included. It is, also used for an extensive range of professions: graphic design, desktop publishing, film/dia/photo negatives and even in biology...

✿ 16.079 Ø25x53mm

LINEN TESTER LUXE



transport pocket included

VINYL ROLL STORAGE

NEW



16 roll capacity

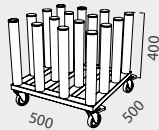


* vinyl rolls not included

INFORMATION

*mm

This metallic 500x500x400 mobile unit allows you to store 16 vinyl rolls. Allen key and 4 rotary brake wheels are included. Ideal for printing presses, sign makers, design studios or for tailor shops.



brake wheels

16.115	500x500x495	16 rolls capacity
--------	-------------	-------------------

SPEED CLIP SMALL



INFORMATION

*mm

This Ø83mm Clip is suitable for being used as fastener with vinyl or rolls of clothes. It is made of purple colored plastic. Ideal for printing presses, sign makers, design studios or for tailor shops.



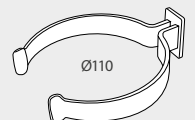
✿ 16.108	Ø83mm	x20 📦
----------	-------	-------



INFORMATION

*mm

This Ø110mm Clip is suitable for being used as fastener with vinyl or rolls of clothes. It is made of purple colored plastic. Ideal for printing presses, sign makers, design studios or for tailor shops.



✿ 16.109	Ø110mm	x20 📦
----------	--------	-------

ideal for
tool belts



INFORMATION

This black and red tool bag is made of nylon. It is ideal for being used with a tool belt. Featuring several tool pockets and various applications.

✿ 16.105 280x175mm

TOOL BAG L



TOOL BAG XL



INFORMATION

This black and grey tool bag is made of nylon. It is ideal for being used as a tool belt. Featuring several tool pockets and various applications.

✿ 16.106 295x260mm



TOOL BAG XXL



INFORMATION

This professional tool bag is made of black durable nylon. It is ideal for being used as a tool belt. Featuring several tool pockets and various applications.

✿ 16.107 525x258mm

adjustable strap
and multiple pockets

MAGNETIC WRIST HOLDER



INFORMATION

This Magnetic wrist holder with "magic tape" system is ideal for attaching tools.

✿ 16.126



CLEANING SWAB



INFORMATION

These Cleaning swabs are ideal for labelling to fix small imperfections.

✿ 16.008

x10



MAGNETIC RING



INFORMATION

*mm

This single magnetic Ø30mm ring with folding handle is ideal for holding vinyls while labelling.



✿ 16.124

Ø30mm



MAGNETIC BASE

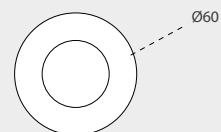
suitable for any metallic surface



INFORMATION

*mm

This single Ø60mm magnetic ring thanks to its big diameter is ideal for holding vinyls while labelling.



✿ 16.125

Ø60mm



ideal for bending and welding plastic, softening adhesive, etc

HEAT GUN



Voltage & Frequency:	230V - 50Hz
Rate power I/II:	1000/2000W
Temperature I/II:	350/550° C
Air Flow I/II:	300/500 l/min.
VDE plug:	2m cable

* 16.128



Voltage & Frequency:	230V - 50Hz
Rate power I/II:	2000W (Max)
Temperature I/II/III:	80/80-600/80-600° C
Air Flow I/II/III:	350/350/500 l/min.
VDE plug:	2m cable
Adjustable temperature	

* 16.129



Voltage & Frequency:	230V - 50Hz
Rate power I/II:	2000W (Max)
Temperature I/II/III:	50/70-600/70-600° C
Air Flow I/II/III:	300/300/500 l/min.
VDE plug:	2m cable
Display:	LCD
Adjustable temperature	

* 16.130



ELASTIC CORD



✿ 16.039		Ø6mm	
✿ 16.040		Ø6mm	

CORNER GRIPS

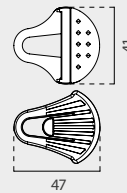


easy clip-on

INFORMATION

*mm

- Made of nylon.
- It allows to hang the banner with corners, keeping it perfectly in tension.



✿ 16.110		x40	
----------	--	-----	--

FISHING NYLON ROLL

roll length: 500m



✿ 16.038	Ø0.5mm	Roll length: 500m	
----------	--------	-------------------	--

FISHING NYLON

roll length: 5m



✿ 12.373	Ø0.5mm	Roll length: 5m	x100
----------	--------	-----------------	------

Magic Tape

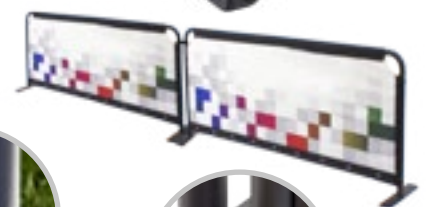


INFORMATION

Reusable and multipurpose "magic tape" strap. Ideal for tying, holding or securing.

✿ 16.111	20x200mm	x50	
✿ 16.112	20x300mm	x50	
✿ 16.113	20x400mm	x50	

MAGIC TAPE HOOKS



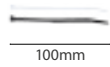
CABLE TIES



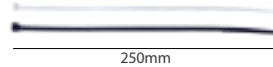
INFORMATION

These Cable Ties are ideal for being used as fastener for several uses, such as for primarily electrical cables, holding items together or wires. Black or transparent finish. 12 sizes available of cable ties.

16.043
16.044



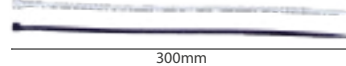
16.049
16.050



16.045
16.046



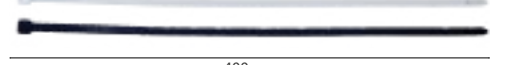
16.051
16.052



16.047
16.048



16.053
16.054



16.043		2.5x100mm	x100
16.044		2.5x100mm	x100
16.045		3.6x150mm	x100
16.046		3.6x150mm	x100
16.047		4.8x200mm	x100
16.048		4.8x200mm	x100

16.049		4.8x250mm	x100
16.050		4.8x250mm	x100
16.051		4.8x300mm	x100
16.052		4.8x300mm	x100
16.053		7.2x400mm	x100
16.054		7.2x400mm	x100

SUCTION CUPS



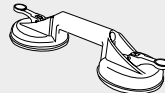
INFORMATION

This single suction cup with folding handles is ideal for the transport of heavy panels up to 30kg weight.



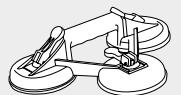
INFORMATION

Double suction cup for the transport of heavy panels up to 60kg weight.



INFORMATION

Double suction cup for the transport of heavy panels up to 120kg weight.



✦ 16.016 Capacity: 30kg

✦ 16.017 Capacity: 60kg

✦ 16.018 Capacity: 120kg

BADGE MAKER MACHINE | Badge Maker Machine

EN Button making machine. Includes moulds. Available in 3 different diameters 25mm, 37mm or 58mm.

FR Machine pour réaliser des plaques avec une matrice incluse. Disponible avec matrice de dimension de 25mm, 37mm, 58mm.

PT Máquina manual para realizar crachás com matriz incluída. Os tamanhos das matrizes disponíveis são de 25 mm, 37 mm ou 58 mm.

ES Máquina manual para realizar chapas con matriz incluida. Disponible con matrices de tamaño 25mm, 37mm o 58mm.

BADGE MAKING MACHINE



includes mold

available in 3 diameters



16.131 Diameter: Ø25mm

16.132 Diameter: Ø37mm

16.133 Diameter: Ø58mm

METAL PIN BADGE



PLASTIC PIN BADGE



INFORMATION

These Metal Badges include base with pin + cap + protection cover. 3 diameters.

16.134 Diameter: Ø25mm x100 📦

16.135 Diameter: Ø37mm x100 📦

16.136 Diameter: Ø58mm x100 📦

INFORMATION

These Plastic Badges include base with pin + cap + protection cover. 3 diameters.

16.137 Diameter: Ø25mm x100 📦

16.138 Diameter: Ø37mm x100 📦

16.139 Diameter: Ø58mm x100 📦

INFORMATION

This heavyweight professional hand operated press Eyelet Machine is designed to insert eyelet adapters (grommet die) from diameter from Ø6mm to Ø12mm. Changing adapters is simple (it includes 1 Allen key). It is a valuable addition to any workroom. It features holes at the base for fixing to any appropriate work surface. It is a valuable addition to any workroom. Its solid construction will give years of service in the workshop or out with the fitters.

TABLE EYELET ADAPTERS



For Ø6



For Ø8



For Ø10



For Ø12



*mm



✿ 16.121 Header diameter: Ø6mm



✿ 16.020 Header diameter: Ø8mm



✿ 16.120 Header diameter: Ø10mm



✿ 16.021 Header diameter: Ø12mm

TABLE EYELET MACHINE



✿ 16.019 Header diameter: Ø10mm

Ø6



Ø8



Ø10



Ø12



*mm



✿ 16.026 Ø6mm x1000

✿ 16.022 Ø6mm x1000

✿ 16.027 Ø8mm x1000

✿ 16.023 Ø8mm x1000

EYELETS

for table eyelet adapter



✿ 16.028 Ø10mm x1000

✿ 16.024 Ø10mm x1000

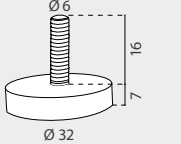
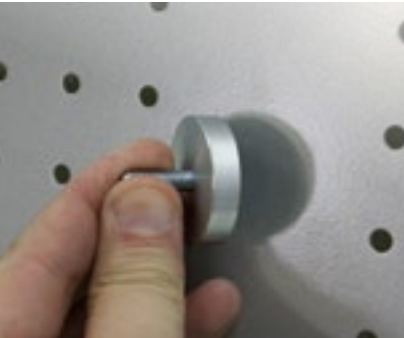

✿ 16.029 Ø12mm x1000

✿ 16.025 Ø12mm x1000

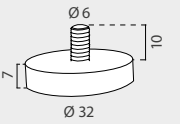


3 sizes available

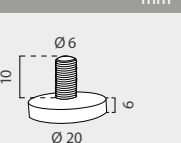


MAGNETIC INSERT DISCS

					
16.080	Ø8x3mm x50 	16.081	Ø10x3mm x50 	16.082	Ø20x5mm x10 

	
16.084	Base: Ø32x7mm Screw: Ø6x16mm x10 

FERRITE MAGNETIC BASE

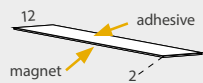



	
16.083	Base: Ø32x7mm Screw: Ø6x10mm x10 

	
16.085	Base: Ø20x6mm Screw: Ø6x10mm x10 





NEODYMIUM MAGNETIC BASE

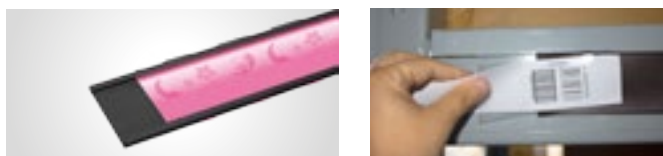
	
16.086	Base: Ø32x7mm Screw: Ø6x10mm x10 

MAGNETIC STRIP ROLL

INFORMATION						
- 50m Roll. - 2mm thickness strip. - One adhesive side for fixing to the graphics.						
QTY	N.W	G.W	C.B.M	SIZE		
Packing 1	3.4kg	3.82kg	0.0038	390x25x390mm		
10.360	50m x 12mm					

MAGNETIC STRIP BY LINEAL METERS

	
16.087	Adhesive Size: 20x1.2mm
	
16.088	Magnetic Size: 20x1.2mm



*mm

MAGNETIC DATA STRIP



REF 16.089

REF 16.090

REF 16.091

REF 16.092



16.089	Inner width: 25mm	
16.090	Inner width: 35mm	

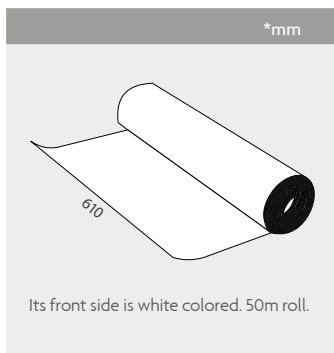
16.091	Inner width: 40mm	
16.092	Inner width: 50mm	



MAGNETIC SHEET ANISOTROPIC



16.093	150x100x2mm	
16.094	950x400x2mm	



MAGNETIC ROLL ANISOTROPIC



16.095	610x0.6mm	Roll length: 50m	
--------	-----------	------------------	--



ANTI-SLIP PAD



16.100	Diameter: Ø10mm	x120	
--------	-----------------	------	--



iviceversa
Soluciones
Gráficas

Soluciones
Gráficas

Avd. de Elda, 72 · 03610 · Petrer (Alicante)
info@iviceversa.com · 670 37 70 13 · www.iviceversa.com

